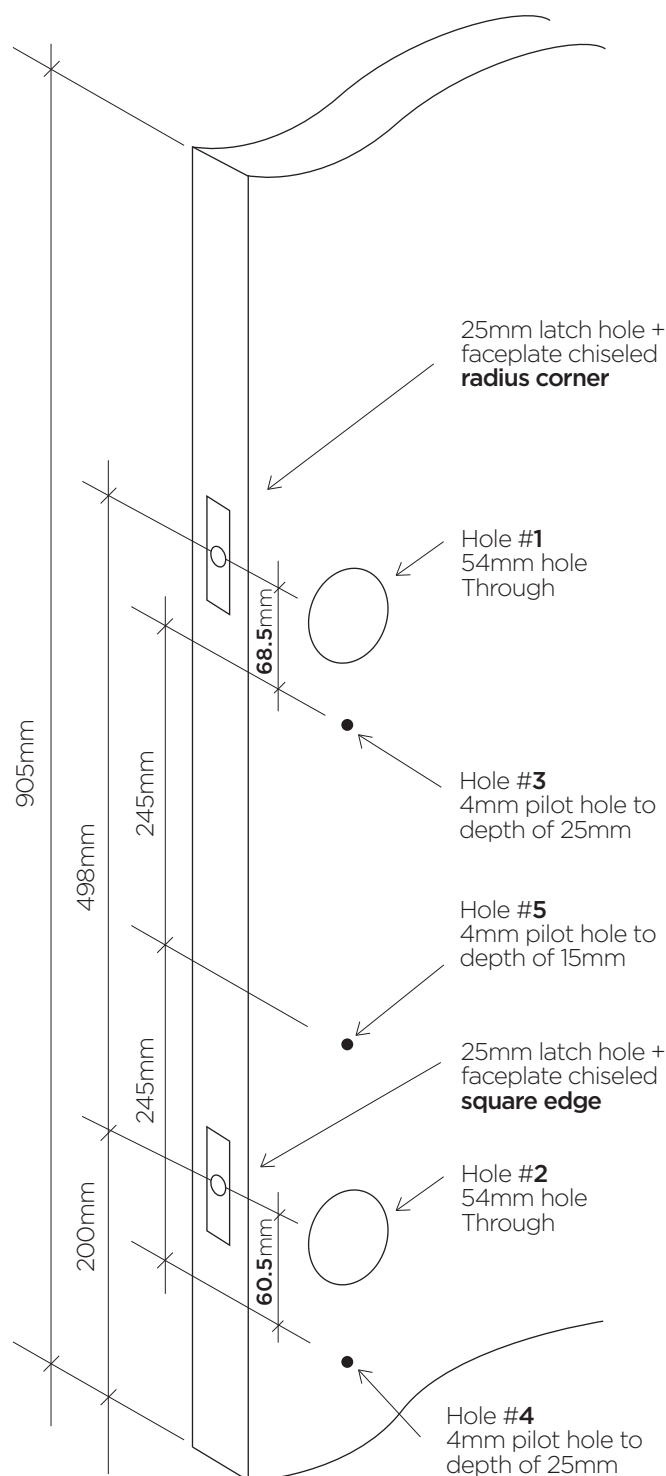
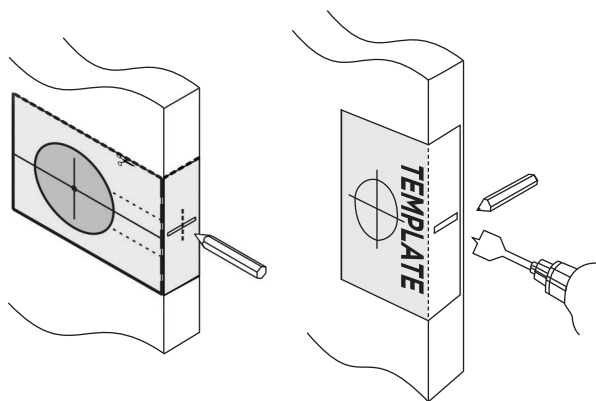


## Step 1 Timber Door Preparation

Note: This advanced Door Entry system requires two 54mm diameter holes to be drilled through the face of the door. The top hole will house a deadbolt, and the bottom hole will house the lever set and passage latch. These holes must be exactly 498mm apart, centre to centre. Please take care to ensure this is done accurately.

- Determine desired height position of the Entry System on the door and mark two hole centre positions (#1 at the top, #2 at the bottom) exactly 498mm apart at 60mm back set from the door edge on both sides of the door.
- Using the Top Template provided, mark the 7mm hole (#3) 68.5mm below the top mark and 60mm from the door edge on the outside of the door.
- Mark horizontal centre-line of 25mm latch hole using template, measure door thickness and then mark at centre of door thickness.
- Using the bottom template provided, mark the 7mm hole (#4) 60.5mm below the bottom hole mark (#2) and 60mm from the door edge on the outside of the door.
- Mark horizontal centre-line of 25mm latch hole using template, measure door thickness and then mark centre of door thickness.
- Drill a 3mm pilot hole through marking for hole #1 and hole #2, through the door. Now drill both 54mm holes (#1 and #2) through door face, drilling from both sides to avoid splintering and ensuring the drill is held straight and level whilst drilling the hole.
- Drill both 25mm latch holes into edge of the door, central to door thickness ensuring the drill is held straight and level whilst drilling the hole.
- Mark a hole position (#5) on the outside of the door exactly 245mm (halfway) in between the two markings hole #3 and hole #4 - again at 60mm back from door edge.

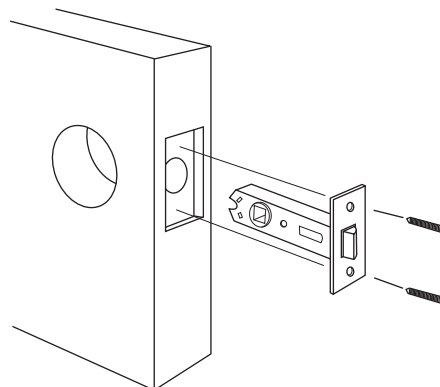


PTO



## Step 2 Bottom Latch Installation

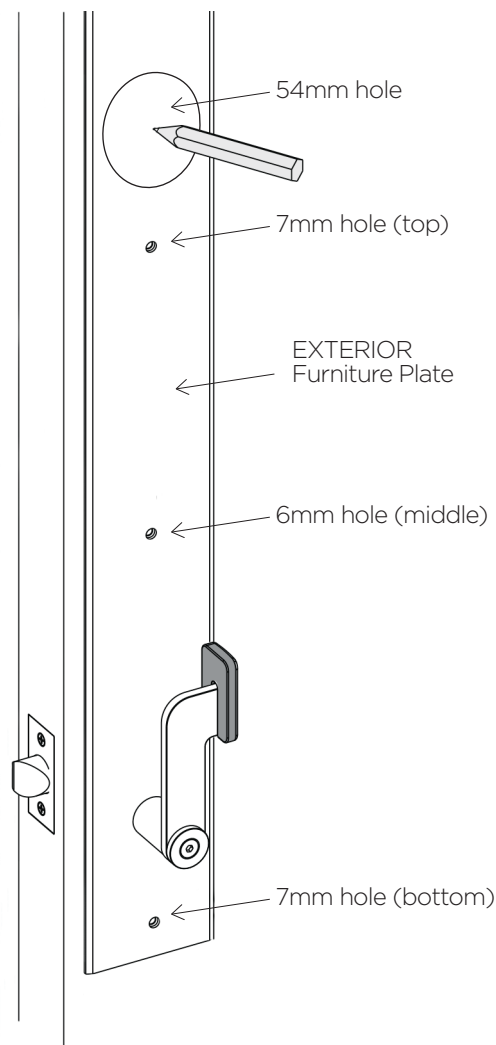
- Insert latch into centre of 25mm lower latch hole and mark around the face plate - remove latch.
- Using a sharp chisel, gently chisel the marked rectangular section to a recess of 2mm or until the latch face is flush with door edge.
- Insert the latch into the hole, ensuring the curve of the latch bolt is positioned toward the direction of door closure.
- Pre-drill and fasten with wood screws provided (#6 x 19mm) ensuring latch is level.
- Insert Spindle into latch from the 54mm face hole on the outside of the door.



## Step 3 Plate Preparation

- Hold external plate flush to the outside of the door, aligning the top 54mm hole in the door with that of the plate and inserting latch spindle into external lever hub.
- Ensuring the plate is parallel to the door edge, check to see that the 7mm holes (#3 and #4) and the 6mm hole (#5) are in the correct position corresponding with the plate.
- Remove plate and set aside taking care not to mark or damage the furniture and plate.
- Pilot drill the two 7mm holes (#3 and #4) with a 4mm drill bit to a depth of MAXIMUM 25mm.

DO NOT DRILL ALL THE WAY THROUGH THE DOOR.  
 Pilot drill the middle 6mm hole (#5) with a 3.0mm drill bit to a depth of MAXIMUM 15mm.  
 DO NOT DRILL ALL THE WAY THROUGH THE DOOR. Note - Some Hardwood doors may require slightly larger pilot drill hole sizes.

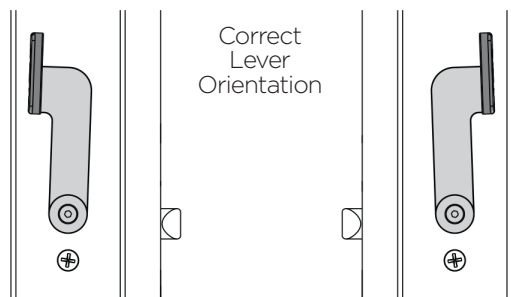
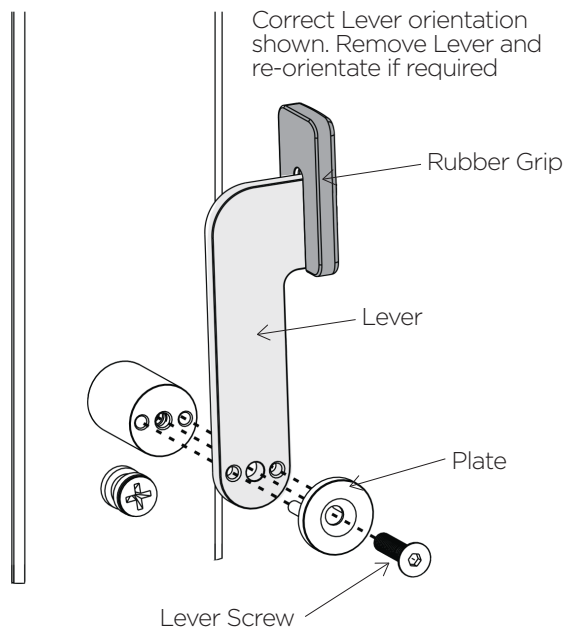


PTO



## Step 4 Handing of the External Hidden Lever

- Determine which way hidden lever is to operate to retract latch accordingly.
- Check that the rubber grip on the Exterior Lever is orientated towards the hinge side of the door. (Orientated away from the door edge and bolt as shown).
- If the Exterior Lever orientation needs to be changed:
  1. Remove the lever screw using 4mm allen key provided.
  2. Remove the lever.
  3. Flip the lever so the rubber grip is orientated away from the bolt as shown and re-assemble.
  4. Re-install plate and lever screw and tighten screw.

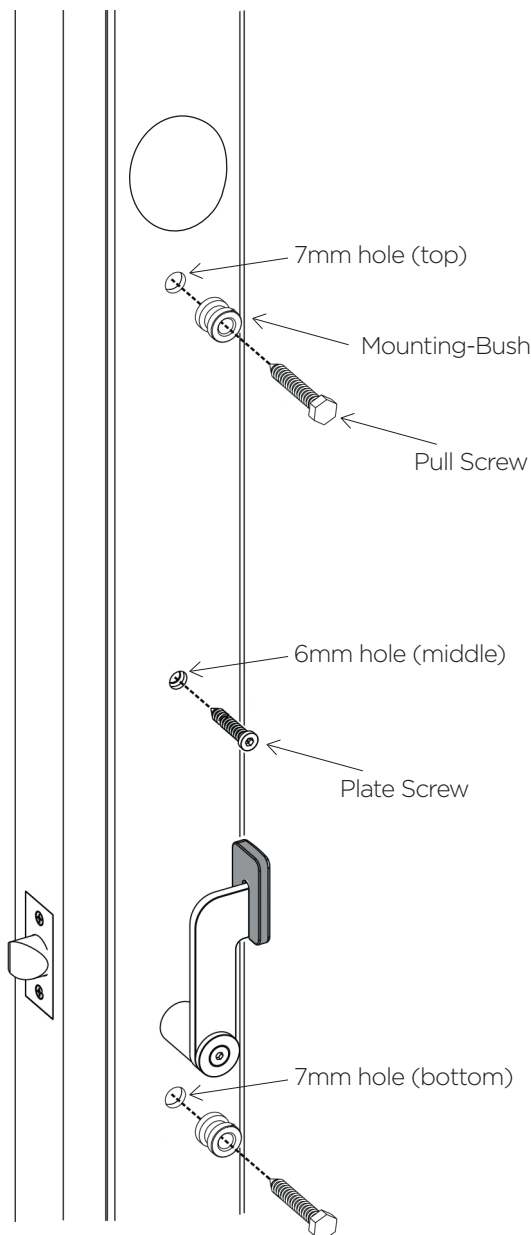


PTO



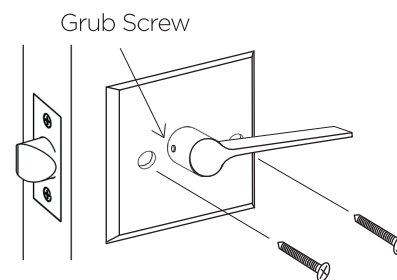
## Step 5 Front Plate Installation

- Hold external plate flush to the outside of the door, aligning the top 54mm hole in the door with that of the plate and inserting latch spindle into external lever hub.
- Ensuring the plate is parallel to the door edge and the top 54mm hole is aligned, feed the Mounting-Bush over the Pull Screw (#6x40mm) and locate over pilot hole in HOLE #3.
- Drive Pull Screw (with Bush) through plate into door using 10mm socket, ensure the screw is driven in straight and central to HOLE #3.
- Ensuring the plate is parallel to the door edge and the top 54mm hole is aligned, feed the Mounting-Bush over the Pull Screw (#6x40mm) and locate over pilot hole in HOLE #4.
- Drive Pull Screw (with Bush) through plate into door using 10mm socket, ensure the screw is driven in straight and central to HOLE #4.
- Install Plate Screw (#5 x 20mm) through HOLE #5 and screw into door using 2.5mm allen key supplied.



## Step 6 Interior Lever Installation

- Ensure the spindle has been inserted with groove facing the door edge.
- Place the internal lever over the spindle, press flush to inside of the door and align to ensure it sits level to the door.
- Choose the correct length M4 screws (either 25mm or 35mm) depending on door thickness
- Insert the two M4 screws chosen and tighten firmly
- Insert grub screw into lever to ensure the spindle remains in place
- Check latch is working correctly by rotating internal lever and external lever separately.

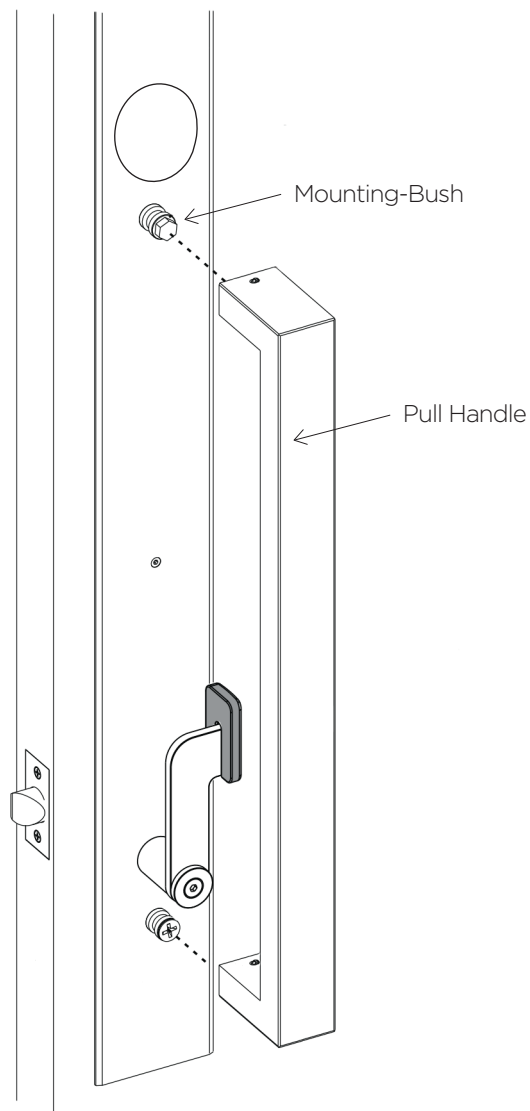


PTO



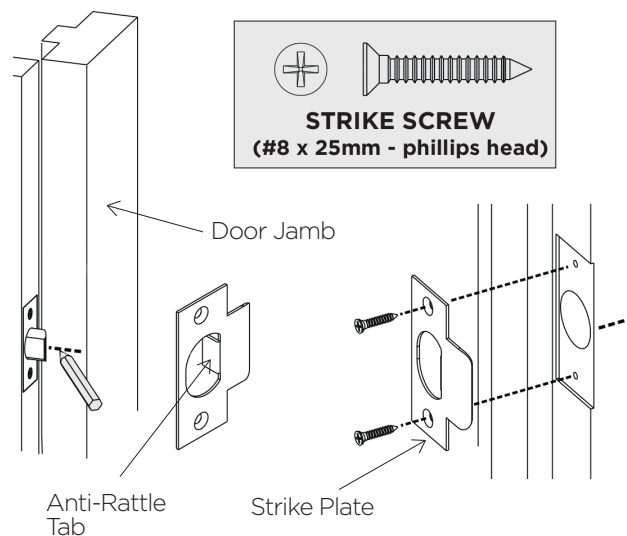
## Step 7 Pull Handle Installation

- Position the Pull handle over the bushes on the outside plate.
- While holding the Pull Handle firmly up against the plate on the door, tighten all four grub screws with the Allen key provided.



## Step 8 Installing the Strike Plate

- Ensure door seals are installed before installing the strike plate.
- Gently close the door until the latch-bolt rests on the door jamb.
- Mark the centre of the bolt on the door jamb, this mark can be used to position strike plate.
- Mark and drill 25mm hole inside the door jamb to a depth of 25mm on marked bolt centre position.
- Position the strike plate and mark around. Chisel a recess until the strike plate sits flush with the door jamb face.
- Fasten strike plate to door jamb with two strike plate screws (#8 x 25mm).
- Close the door and check whether the door rattles. If required remove strike plate and bend the anti-rattle tab to reduce rattle. Then re-fit strike plate and re-check rattle. Repeat if required.



## Step 9 Installing the Dead Bolt

- Refer to separate instruction sheet contained with chosen Deadbolt for installation instructions.

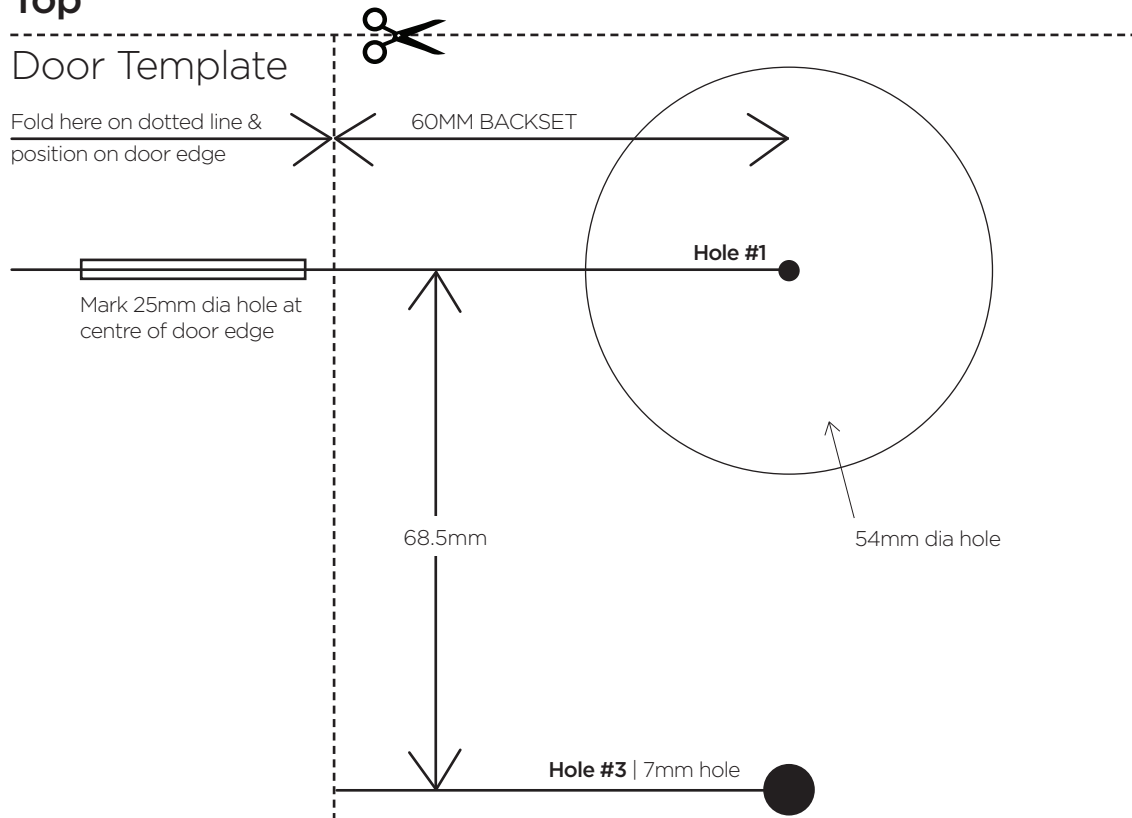
PTO



## Top

### Door Template

Fold here on dotted line & position on door edge



## Bottom

### Door Template

Fold here on dotted line & position on door edge

