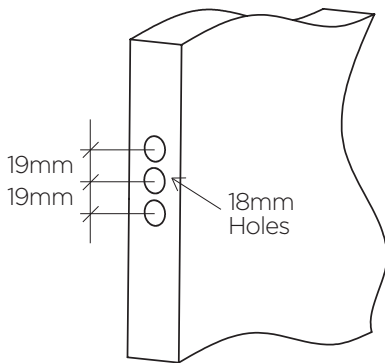


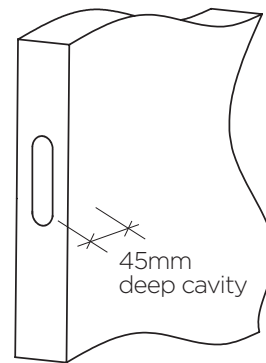
Step 1

- Locate the desired height position of the roller latch ensuring it is clear of all other hardware
- Using the template provided, ensure the centre mark is located in the middle of the door edge. Mark three hole centrelines at 19mm apart and mark the two screw holes top and bottom at 72mm apart
- Drill the 3 middle x 18mm holes to a depth of 45mm
- Ensure the drill is kept straight and level whilst drilling these holes
- Pre drill the top and bottom screw holes using a 3mm drill to a depth of 25mm



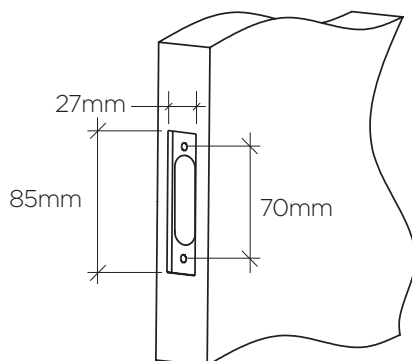
Step 2

- Using a sharp chisel, chisel out the timber between the three holes to make 45mm deep cavity



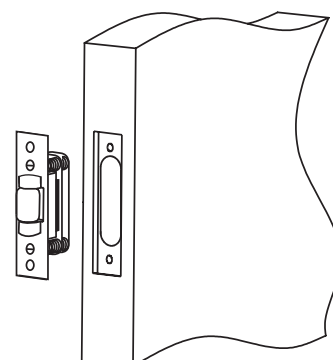
Step 3

- Again using the template provided, mark out 85mm x 27mm x 4mm deep faceplate details
- Chisel out the timber to a depth of 4mm
- Note and mark out the 32mm x 27mm middle recess that needs to be chiselled out to a depth of 10mm



Step 4

- Install the roller latch into the cavity ensuring it sits snugly into the recess, and the faceplate is flush with the door edge.
- Using a Philips head screwdriver, screw in the top and bottom screws (longer ones in pack) to fix the roller bolt in place.

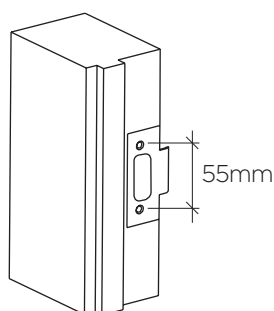


PTO



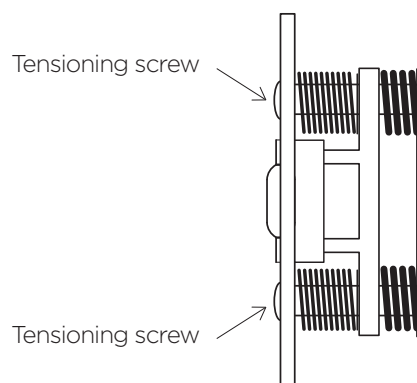
Step 5

- Close the door until the roller touches the door jamb, to determine the correct position for the strike plate to be located on the door jamb.
- Using the strike plate itself as a template, mark out the correct position on the door jamb
- Chisel out the timber to suit the striker (70mm x 28mm x 2mm)
- Using the striker mark the position of the screw holes (55mm apart) and predrill with a 3mm drill to a depth of 15mm
- Install the strike plate by screwing in the two screws provided using a Phillips head screwdriver



Step 6

- Open and close the door a few times to test the tension of the roller bolt.
- Adjust the tension as required by tightening or loosening the two adjustment screws on the faceplate of the roller bolt.



Door Template

