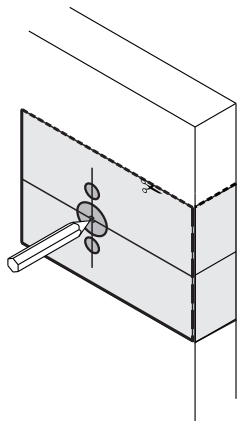


# Dummy 63mm Lever Sets

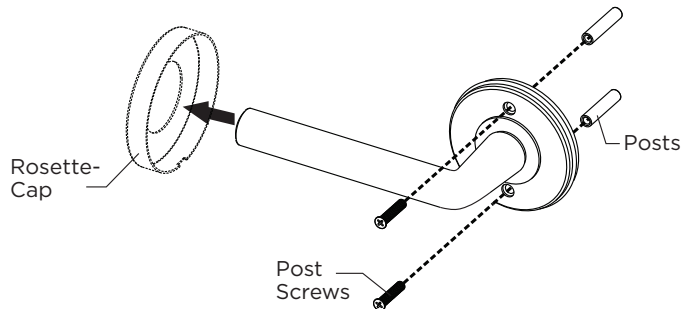
## Step 1. Door Preparation

- Fold the supplied template and position template on door edge.
- Mark centre of all three holes as indicated on template.
- Pilot drill all three holes.
- Drill 25mm hole through door.
- Drill two 10mm holes through door.





## Step 2. - Install posts

- Remove rosette-cap from lever assembly.
- Insert post screws (M4 x 19mm) through lever assembly and screw into posts and tighten.



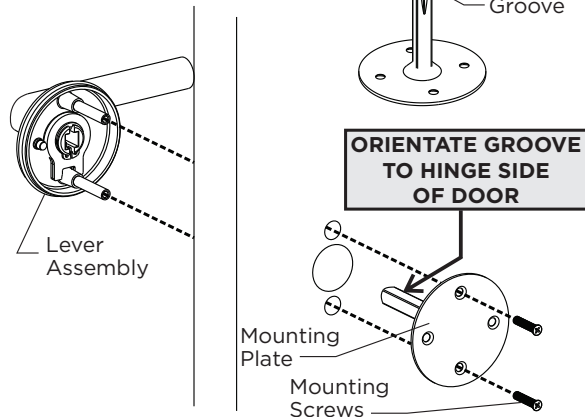
## Step 3. Screw Selection

- Measure door thickness and select correct mounting screws as per table below:

DOOR THICKNESS	MOUNTING SCREW
30 - 41mm	 M4 x 19mm LONG
41 - 45mm	 M4 x 30mm LONG

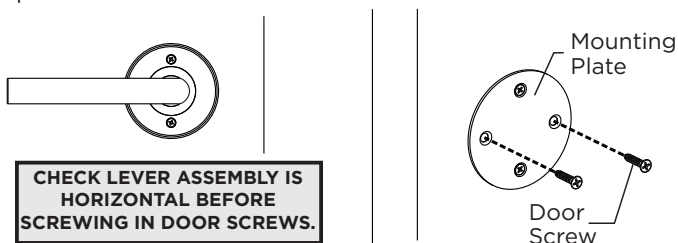
## Step 4. Mounting Plate Installation

- Place lever assembly onto outside of door.
- Orientate mounting plate with **groove facing the hinge side of door** and place on inside of door.
- Hex screw on lever may need to be loosened to enable mounting plate to sit on door face.
- Insert correct mounting screws selected in STEP 3 through top and bottom holes of mounting plate. Tighten both screws.



## Step 5. Door Screw Installation

- Check whether lever assembly is sitting horizontally. If required loosen mounting screws, straighten lever assembly and re-tighten screws.
- Once lever is horizontal, screw in two door screws (#6 x 19mm) through mounting plate.

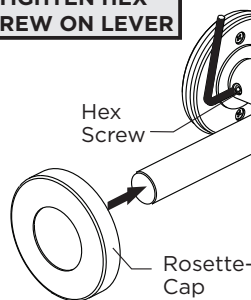


**CHECK LEVER ASSEMBLY IS HORIZONTAL BEFORE SCREWING IN DOOR SCREWS.**

## Step 6. Tighten Hex Screw

**IMPORTANT : TIGHTEN HEX SCREW ON LEVER**

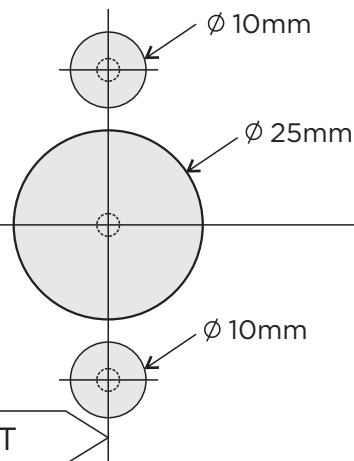
- Tighten hex screw on lever using allen key provided.
- Re-install Rosette-Cap onto lever assembly.
- Push the cap until it is flush with the door face.



**DEL F ARCHITECTURAL**  
**T** 1300 362 625 **F** 1300 362 643  
**E** sales@delfarchitectural.com.au  
**W** www.delfarchitectural.com.au

## DOOR TEMPLATE

Fold on dotted line and fit on door edge



60mm BACKSET