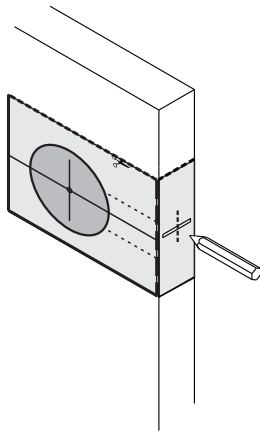


# Privacy 63mm Lever Sets

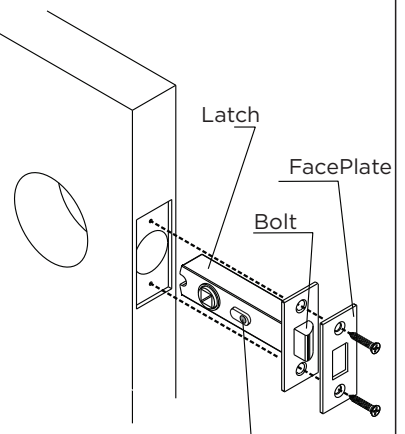
## Step 1. Door Preparation

- Fold the supplied template and position template on door edge.
- Mark centre of 54mm hole on both sides of door.
- Mark horizontal centre-line of 25mm hole using template, then mark centre of door thickness.
- Drill 54mm hole through door face, from both sides to avoid splintering.
- Drill 25mm hole into the edge of the door, central to the door thickness. Ensure the hole is drilled squarely.



## Step 2. Latch Installation

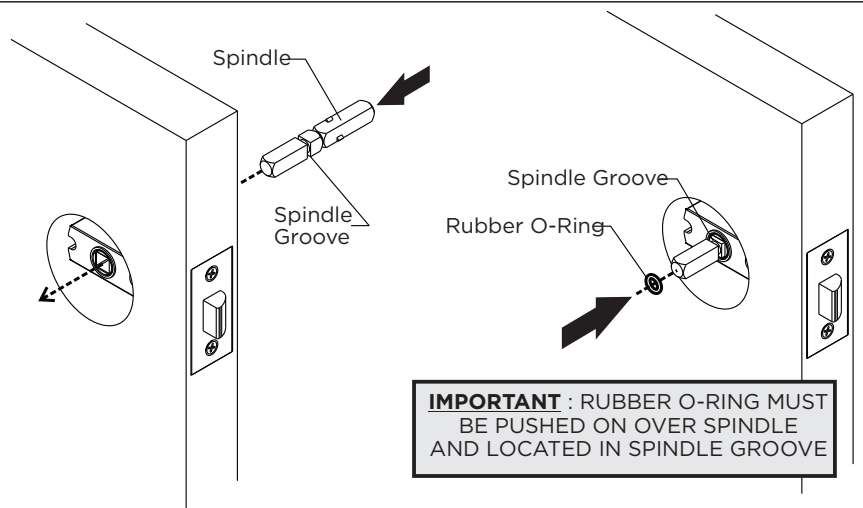
- Insert latch into hole and mark around the face plate.
- Chisel rectangular section to a recess of 4mm or until latch face is flush with door edge.
- Insert latch into hole, ensuring the threaded hole is on the inside of the door.
- Also ensure the curve on the latchbolt is positioned towards the direction of door closure. Bolt can be pulled out of latch and rotated 180degrees if required to re-orientate.
- Position faceplate over bolt
- Pre-drill and fasten latch and faceplate to door with wood screws provided (#6 x19mm)



**THREADED HOLE ON INSIDE OF DOOR**

## Step 3. Spindle Installation

- Install Spindle into square opening in latch.
- Push Rubber O-Ring over spindle and locate in groove on spindle. This step is very important.
- **If latch is removed for painting or maintenance, the Rubber O-Ring MUST be re-installed.**



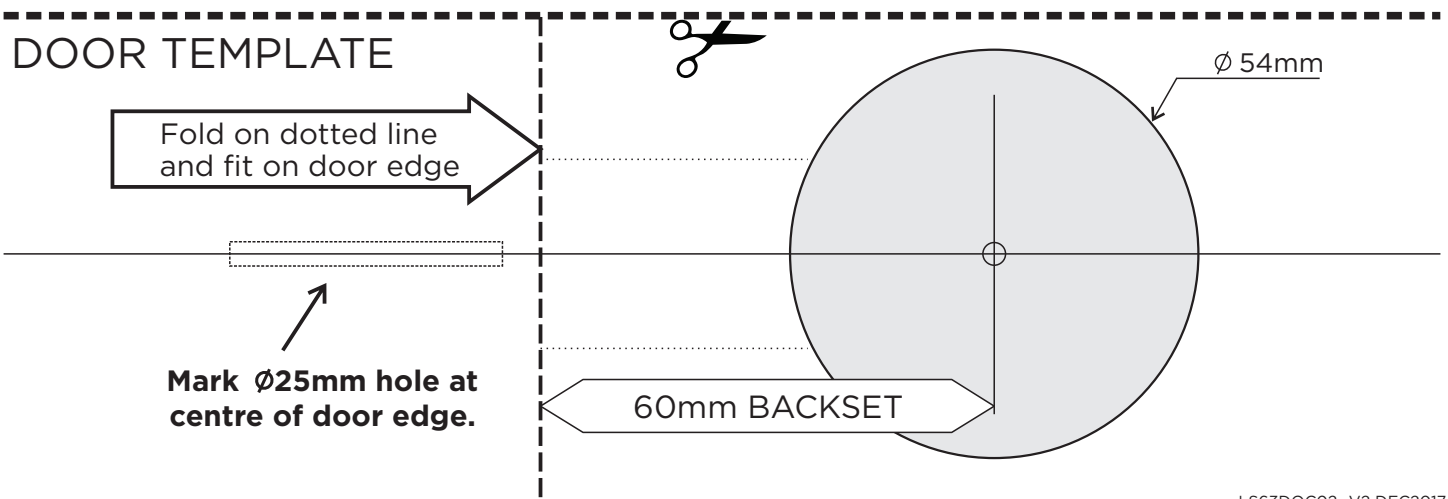
**IMPORTANT : RUBBER O-RING MUST BE PUSHED ON OVER SPINDLE AND LOCATED IN SPINDLE GROOVE**

## Step 4. Screw Selection

- Measure door thickness and select correct mounting screws as per table :

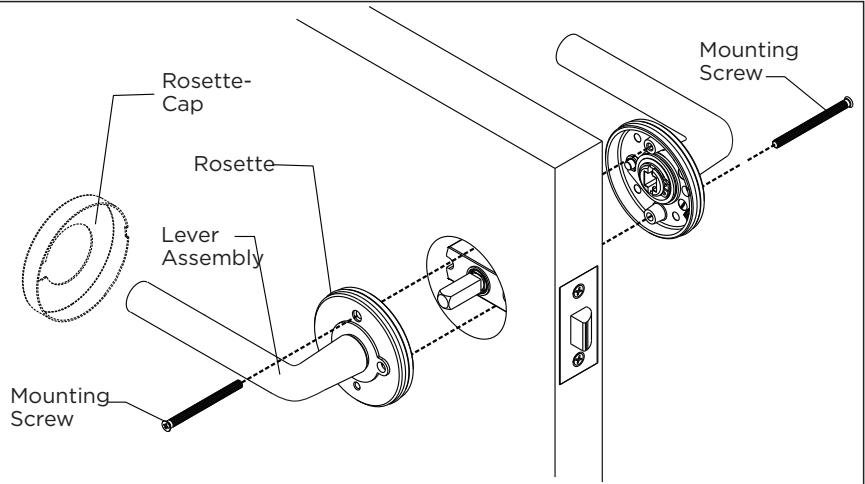
DOOR THICKNESS	MOUNTING SCREW
32 - 38mm	M4 x 47mm LONG
38 - 45mm	M4 x 55mm LONG

## DOOR TEMPLATE



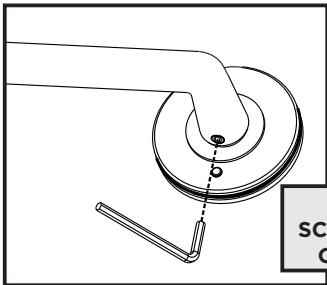
## Step 5. Lever Installation

- Determine which side of the door each lever assembly will need to be installed to allow both levers to move in a downward direction once installed. (Holes on bottom of levers)
- Remove both Rosette-Caps.
- Place one lever assembly onto the spindle.
- Place the other lever assembly onto the other end of the spindle.
- Fasten both lever assemblies together with mounting screws selected in STEP 4. Install one screw from either side through the countersunk holes. Tighten both screws.



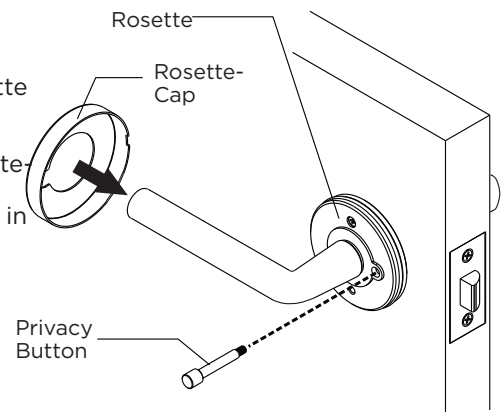
## Step 6. Hex Screws

- Tighten the hex screw on the bottom of each lever using allen key.



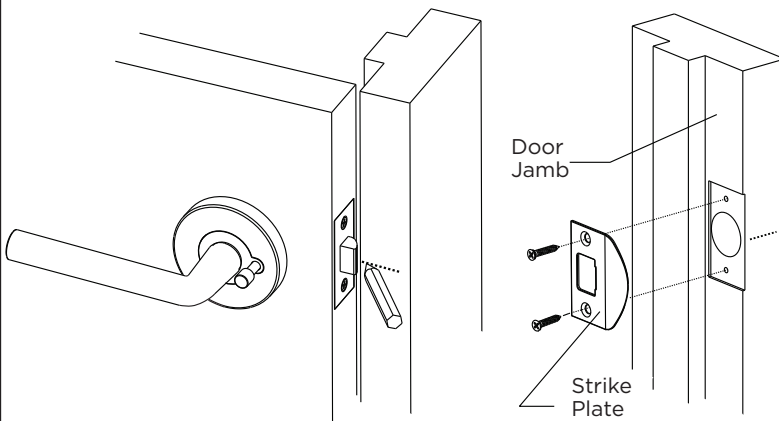
## Step 7. Rosette-Cap Installation

- Push Rosette-Cap onto interior rosette, until the cap is flush with the door face. Ensure hole in rosette cap aligns with profile in rosette.
- Repeat for exterior Rosette-Cap.
- Screw the privacy button in through hole on interior Rosette and tighten.



## Step 8. Strike Plate Installation

- Gently close the door until latchbolt rests on door jamb. Mark centre of latchbolt on door jamb, this mark can be used to position strike plate.
- Mark and drill 25mm hole inside the jamb to a depth of 12mm .
- Position the strike plate and mark around. Chisel recess until strike plate sits flush with jamb face.
- Fasten the 2 wood screw (#6x19mm) supplied.



**DELPH ARCHITECTURAL**  
**T** 1300 362 625 **F** 1300 362 643  
**E** sales@delfarchitectural.com.au  
**W** www.delfarchitectural.com.au

