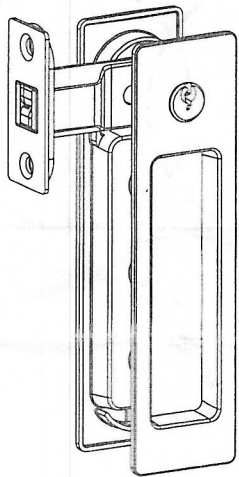
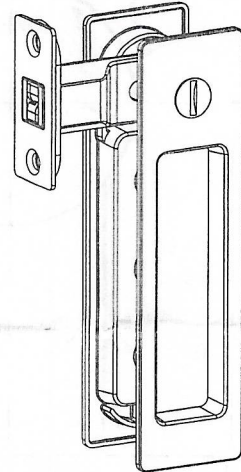


INSTALLATION INSTRUCTIONS



Entrance lock



Sliding Door Lock

Privacy lock

Please read this manual carefully before installation and install in the correct way.

This product is specially designed for general light indoor doors.

Do not install in outdoor doors or porch doors.

Do not clean with any chemicals or wipe.

Hole Drilling

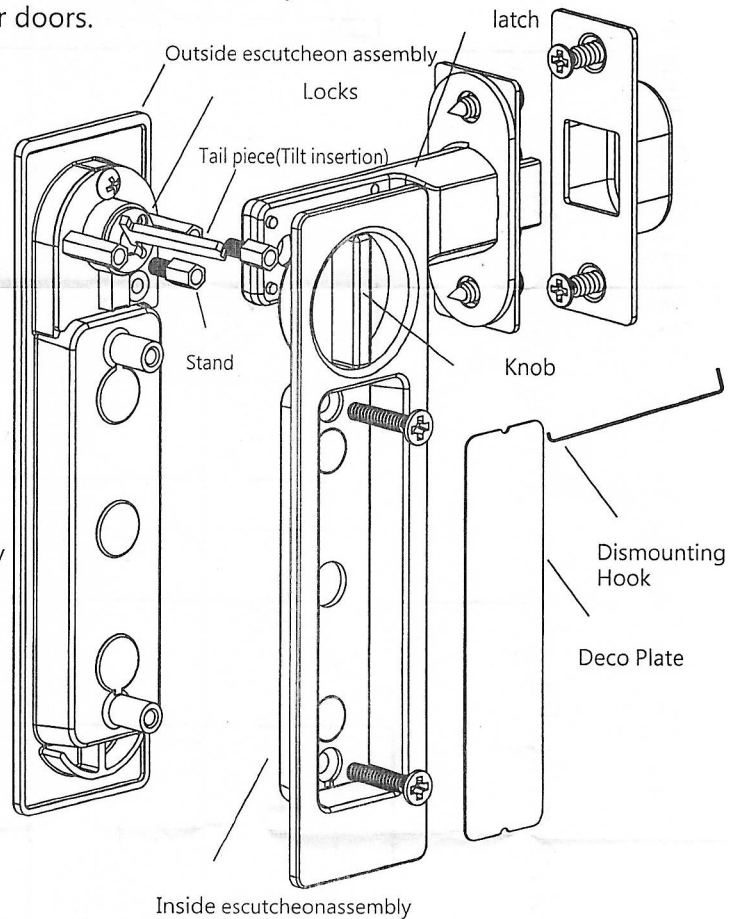
Please select the appropriate position on the door and drill the hole according to the template.

Latch installation

The hook must be in a state of contraction before being fixed on the door.

Escutcheon installation

1. Key must be removed;
2. Insert the tail piece into the slot in outside escutcheon assembly shown in pic, then insert the outside escutcheon into the hole on the door face.
3. Turn the tail piece inside of the door, make sure that the latch could be driven smoothly
4. Install the inside escutcheon assembly try to turn, be sure that the tail piece is inserted into the knob slot;
5. Upon being tested, the deco plate could be mounted, which is sucked up by magnets.



DOOR THICKNESS

Entrance lock 35-55MM

Privacy lock 31-51MM

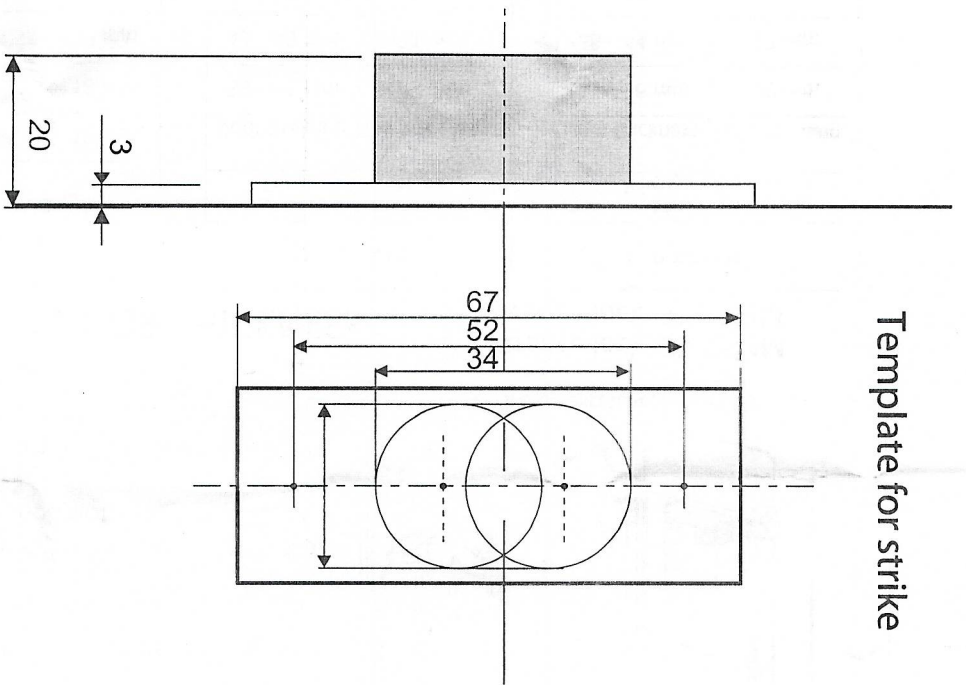
Door thickness	Screw length
31~35 mm	12 mm
35~40 mm	18 mm
40~45 mm	22 mm
45~55 mm	28 mm

D.T.35~41 E	
Entrance lock tail piece	
Door thickness	Tail piece length
35~41 mm	23 mm
41~48 mm	31 mm
48~55 mm	39 mm

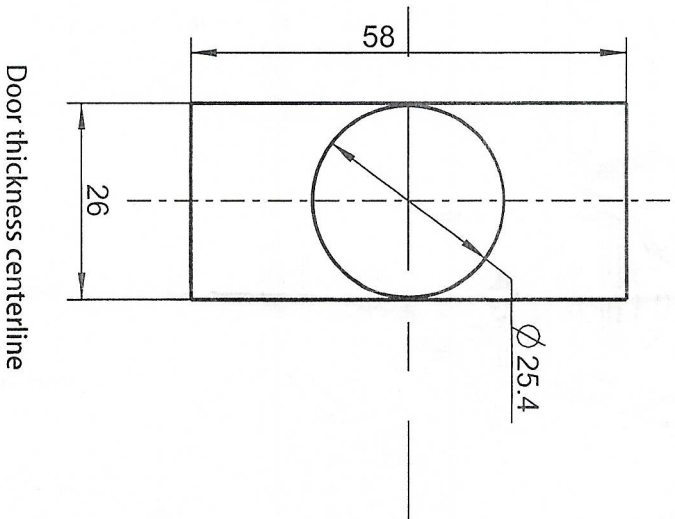
D.T.31~36	
Privacy lock tail piece	
Door thickness	Tail piece length
31~36 mm	29 mm
36~44 mm	37 mm
44~51 mm	45 mm

Template Unit : mm

Template for strike



Template for latch



Backset 60mm

Template for escutcheon

